

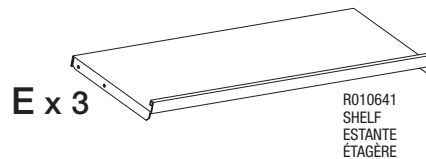
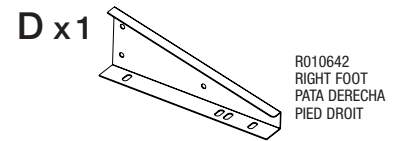
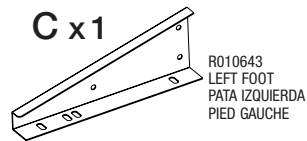
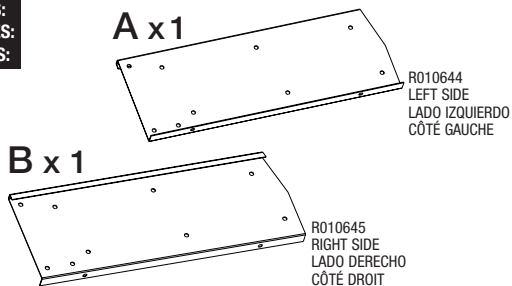
Assembly Instructions

Bench Pick Rack
Model No. APRBENCH

Instrucciones de ensamblaje
Modelo APRBENCH

Instructions d'assemblage
Modèle APRBENCH

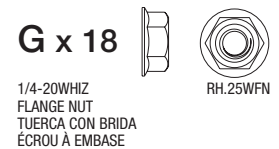
PARTS:
PARTES:
PIÈCES:



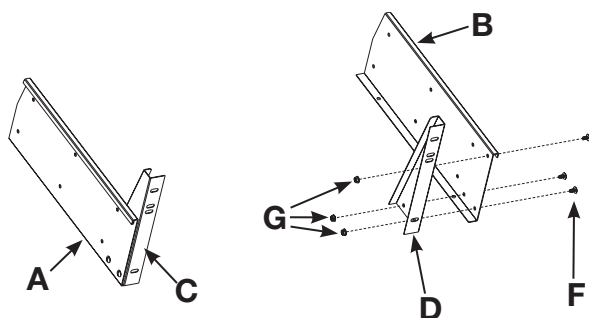
Note: Assemble on padded bench or corrugated board to prevent scratches to finish.

Nota: Ensamble sobre un banco acolchonado o sobre una tabla corrugada para evitar dañar la superficie terminada.

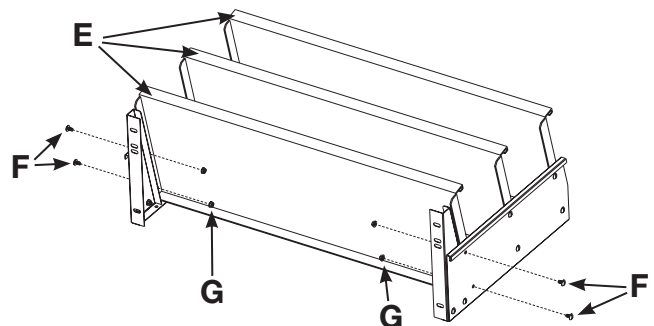
Remarque: Pour éviter de griffer la finition, assembler sur un banc rembourré ou sur du papier cannelé.



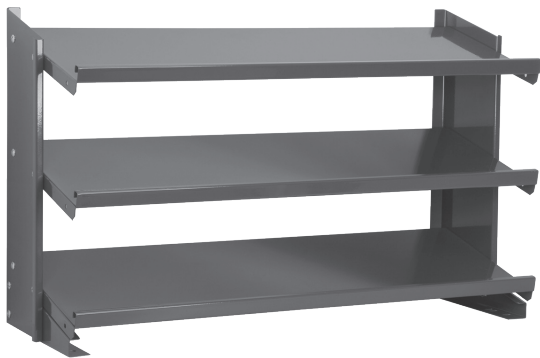
- 1** Attach feet (C) & (D) to sides.
Fije las patas (C) y (D) a los lados.
Fixer les pattes (C et D) aux côtés.



- 2** Attach shelves (E) to sides. Begin with bottom shelf.
Fije los estantes (E) a los lados. Comience con el estante más bajo.
Fixer les étagères (E) aux côtés. Commencer par l'étagère du bas.



- 3**
Assembly is complete.
El ensamble está completo.
L'assemblage est terminé.



Akro-Mils prides itself in providing your best value in storage, organization and material handling products. If you have any questions, comments or need assistance with this product please call our toll-free service number:

800-253-2467

Service representatives are available weekdays from 8 a.m. to 5 p.m. Eastern Time to assist you (outside normal business hours, leave a message and we'll get back to you).

AKRO-MILS®
A Myers Industries Company

Akro-Mils, 1293 South Main St., Akron, Ohio 44301 • 800-253-2467 • Fax: 330-761-6348 • akro-mils.com • sales@akro-mils.com

©2015 Akro-Mils/Myers Industries, Inc. #AKM464 APRBENCH-010115 01/15