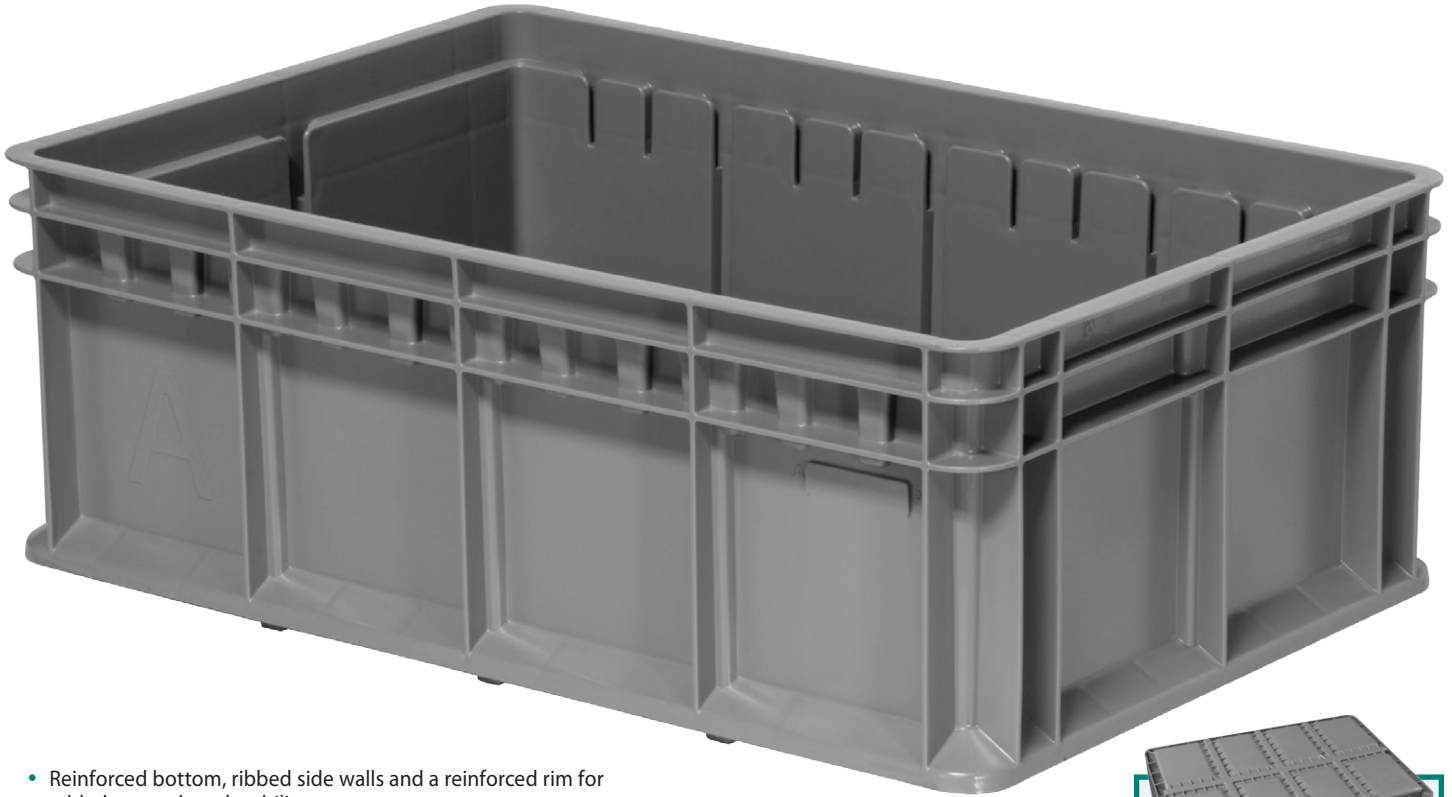


Multi-Load Tote

- Versatile tote for general storage and logistics applications
- Ideal for maximizing space in Mini-Load Automated Storage and Retrieval Systems (AS/RS)



- Reinforced bottom, ribbed side walls and a reinforced rim for added strength and stability
- The unique sidewall clip design allows cups and dividers to attach quickly and securely to the tote, offering maximum flexibility to the user
- Straight walls for efficient cubing on pallets and AS/RS systems
- Designated 2" x 4" label areas on length side of tote provide consistent scanning and allow for easy tote orientation at picking stations



38004
1/4 Cup



38008
1/8 Cup



48300
Length Divider



48301
Width Divider

Multi-Load Totes & Cups		Outside Dimensions (mm)			Outside Dimensions (In.)			Capacity/Qty.		
Model No.	Description	L	W	H	L	W	H	Cu. Ft.	Lbs.	Ctn. Qty.
38358GRY	Multi-Load Tote - Gray	600	400	220	23 ³ / ₄	15 ³ / ₄	8 ² / ₅₂	1.50	80	4
38008YEL	Multi-Load 1/8 Cup - Yellow	184	136	210	7 ¹ / ₄	5 ⁵ / ₈	8 ² / ₅₂	0.14	-	12
38004RED	Multi-Load 1/4 Cup - Red	369	136	210	15 ¹ / ₂	5 ³ / ₈	8 ² / ₅₂	0.29	-	6
48300	Length Divider - Black	-	-	-	-	-	-	-	-	1
48301	Width Divider - Black	-	-	-	-	-	-	-	-	3

Order in carton quantities.

Sorting Cups



Patented clip design allows the partition cups to attach quickly and securely in to tote



1/4 Cups create up to 4 secure compartments

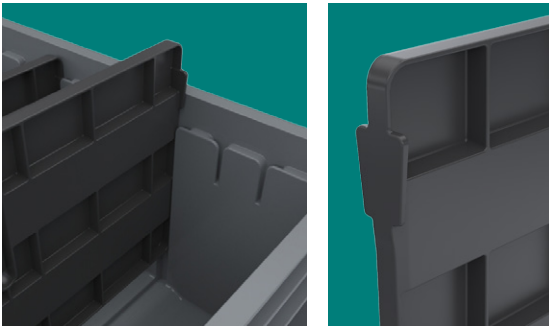


1/8 Cups create up to 8 secure compartments

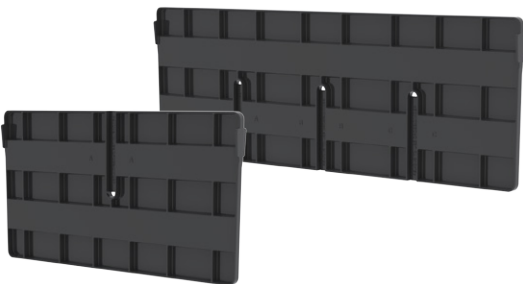


Sorting Cups can be mixed in a single tote for maximum flexibility

Partition Dividers



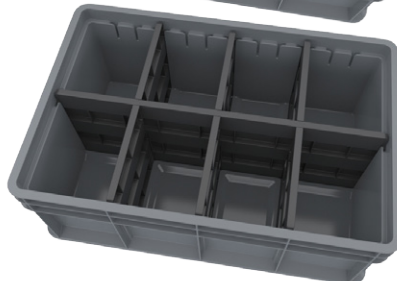
Patented design allows dividers to remain stable and secure in the most demanding applications



Length dividers split tote in half



Cross dividers create multiple compartment options



Dividers cross link to create 4 to 8 sturdy compartments



akro-mils.com

1293 South Main Street, Akron, Ohio 44301 • Tel: 800.253.2467 • Fax: 330.761.6348 • sales@akro-mils.com
 In Canada: Ak-West, Inc. • Tel: 877.979.8940 • Fax: 403.225.1696 • sales@ak-westinc.com • ak-westinc.com